

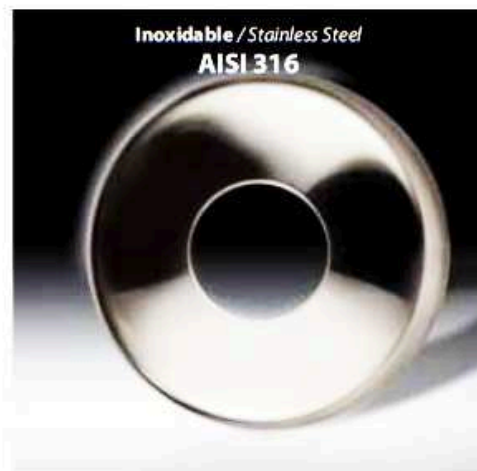
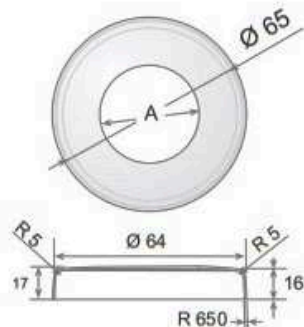
ALUMINOX

Comercial **BJ** desde 1975

EMBELLECEDORES TUBO REDONDO Y CUADRADO

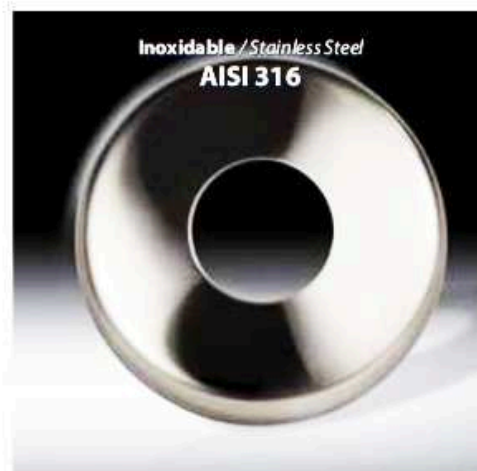
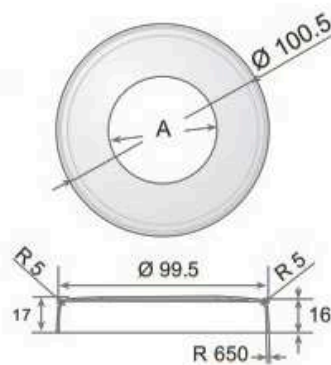
DIÁMETRO EXTERIOR 65 mm

A (mm)	Tubo Tube	Peso Weight
12.4	Ø 12	44 grs.
16.4	Ø 16	44 grs.
18.4	Ø 18	43 grs.
20.4	Ø 20	42 grs.
25.4	Ø 25	41 grs.
28.4	Ø 28	40 grs.
30.4	Ø 30	40 grs.



DIÁMETRO EXTERIOR 100 mm

A (mm)	Tubo Tube	Peso Weight
38.4	Ø 38	78 grs.
40.4	Ø 40	77 grs.
43.4	Ø 43	76 grs.
51.2	Ø 50.8	72 grs.
63.9	Ø 63.5	63 grs.



MEDIDA EXTERIOR 100x100 mm

A (mm)	B (mm)	Tubo Tube	Peso Weight
30.4	30.4	30 x 30	86 grs.
40.4	20.4	40 x 20	96 grs.
40.4	40.4	40 x 40	90 grs.
50.4	50.4	50 x 50	84 grs.

